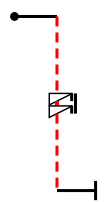


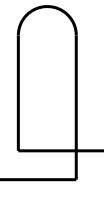

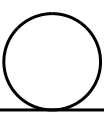


# INTERNATIONAL AEROBATIC CLUB SCORESHEET

# A

Contest: <b>NM Klanten</b>	Date: <b>2025</b>	Category: <b>Glider Primary</b>	Programme: <b>Known</b>	pilot's number <div style="border: 2px solid black; width: 100px; height: 40px; margin: 5px;"></div>
-------------------------------	----------------------	--	----------------------------	--

No	Symbol	Cat. No.	K	Total K	Grade	Remarks	Item	K	Score
1		1.1.6.3 9.11.1.8	10 8	<b>18</b>			<b>Presentation</b>	10	
2		0.1	16	<b>16</b>			FIGURE TOTAL K =		<b>70</b>
3		2.3.1.1	5	<b>5</b>			INC. PRESENTATION =		<b>80</b>
4		8.4.1.1	13	<b>13</b>			Aircraft type:		
5		0.0	8	<b>8</b>			FREE PROGRAM CHECKED BY:		
6		7.4.1.1	10	<b>10</b>			Signature:	Printed Name:	Date:
							Judge Name:		
							IAC #		
							Assistant Name:		
							IAC #		

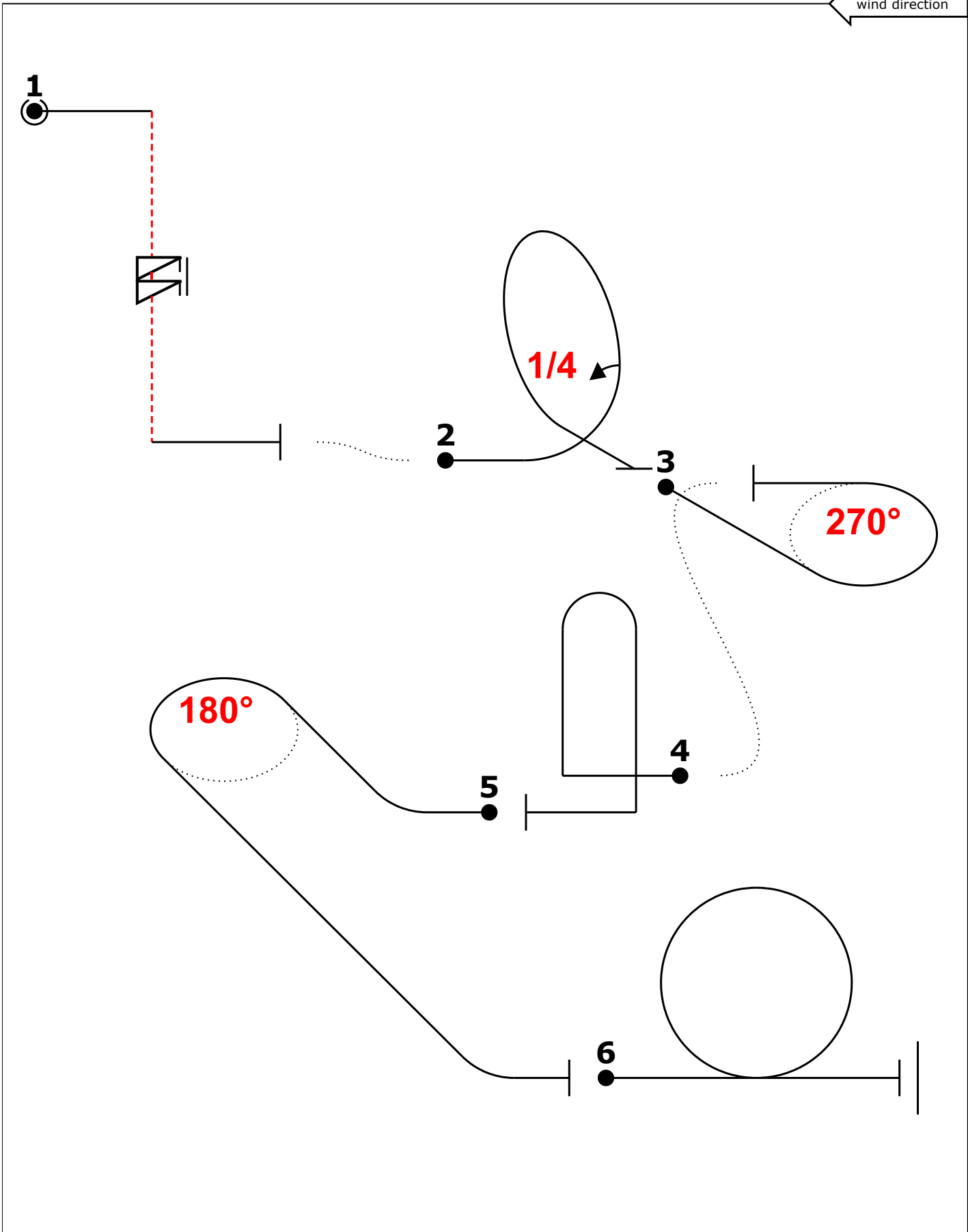


\_\_\_\_\_ Pilot  
 ..... A/C



<b>B</b>	Contest:	NM Klanten	Category:	Glider Primary
	Date:	2025	Program:	Known
			Pilot's No.	<input type="text"/>

Pilot: \_\_\_\_\_  
wind direction ←



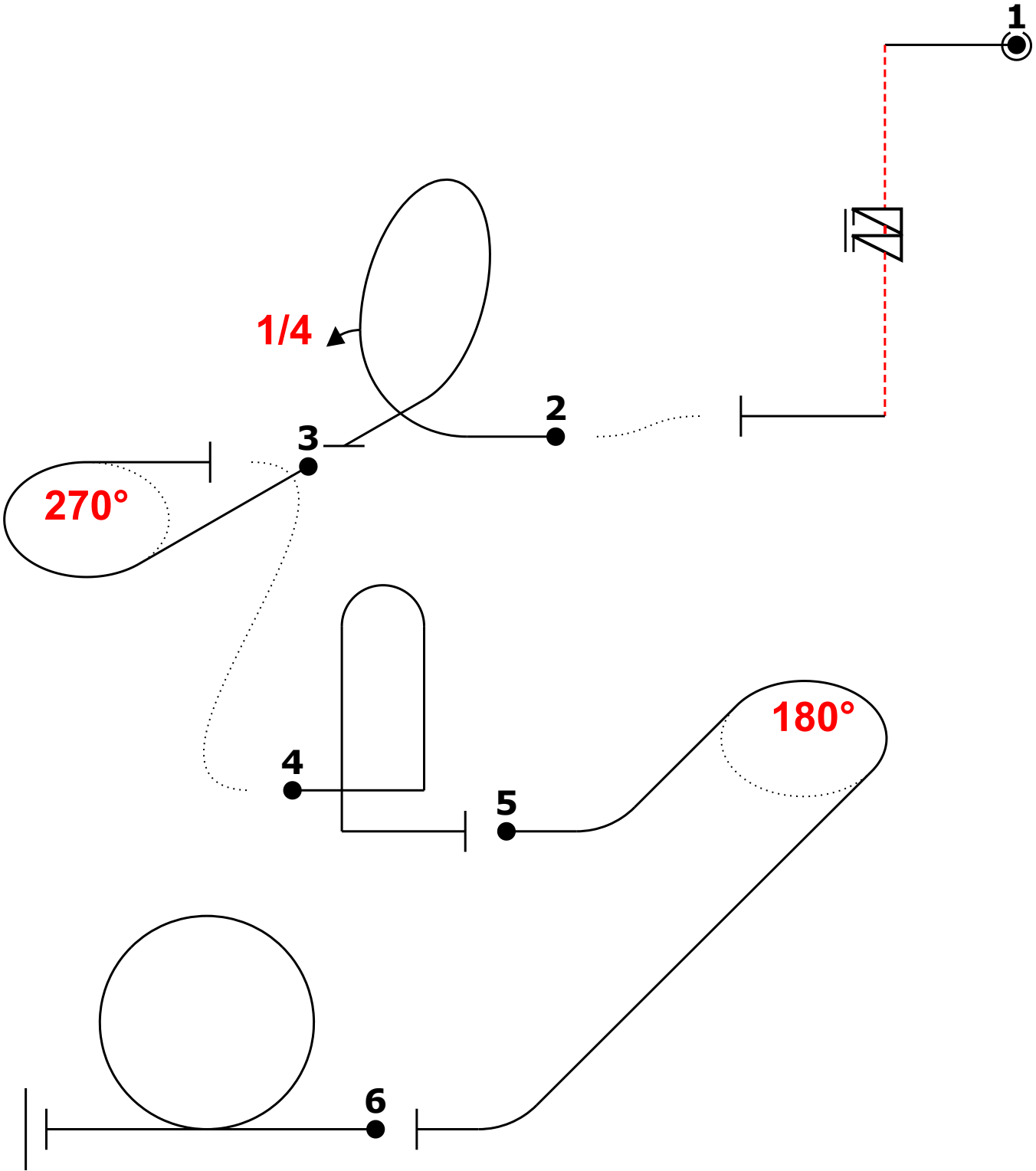
A/C: \_\_\_\_\_  
FREE PROGRAM CHECK BY: \_\_\_\_\_ (signature/date)



<b>C</b>	Contest:	NM Klanten	Category:	Glider Primary
	Date:	2025	Program:	Known
			Pilot's No.	<input type="text"/>

Pilot:

wind direction



A/C:

(signature/date)

FREE PROGRAM CHECK BY: