



Pilot ID

Flight #

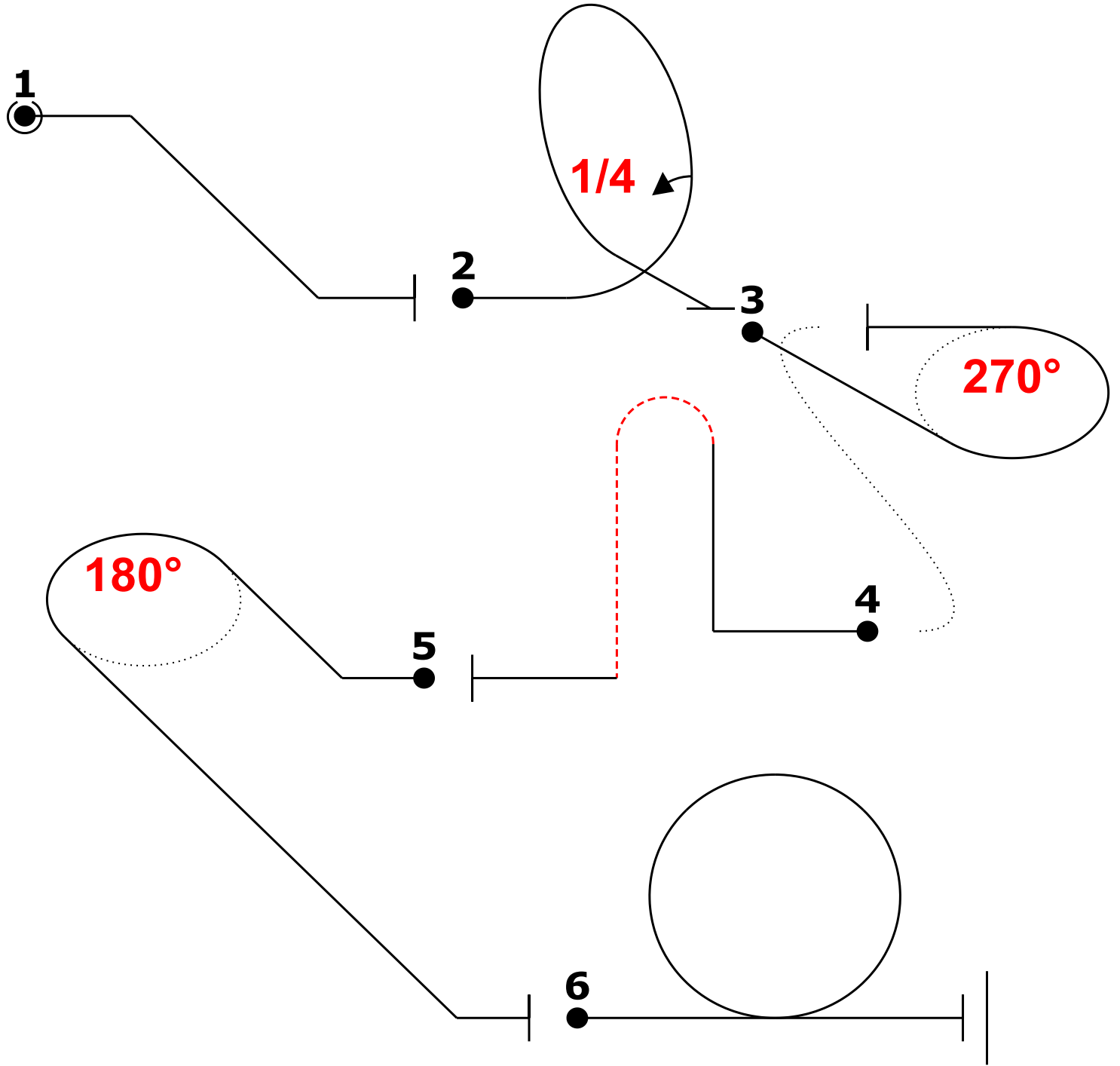
IAC Glider Primary Known

No	Symbol	Cat. No.	K	Total K	Grade	Pos	Remarks	Item	K	Grade
1		1.1.2.3	7	7	.			Pos.	10	
								Fig K	Total K	
2		0.1	16	16	.			61	71	
								Penalties		
3		2.3.1.1	5	5	.			Too Low		
								Too High		
4		8.4.3.1	15	15	.			Interruptions		
								Insertions		
5		0.0	8	8	.			Trg Violation		
								Wing Rocks		
6		7.4.1.1	10	10	.			Disqual Fig		
								Other(note...)		
								Final Freestyle		
								Duration	Min	Sec
								Judges Details		
								Signature		
								Name		
								Number		

 Pilot
 A/C



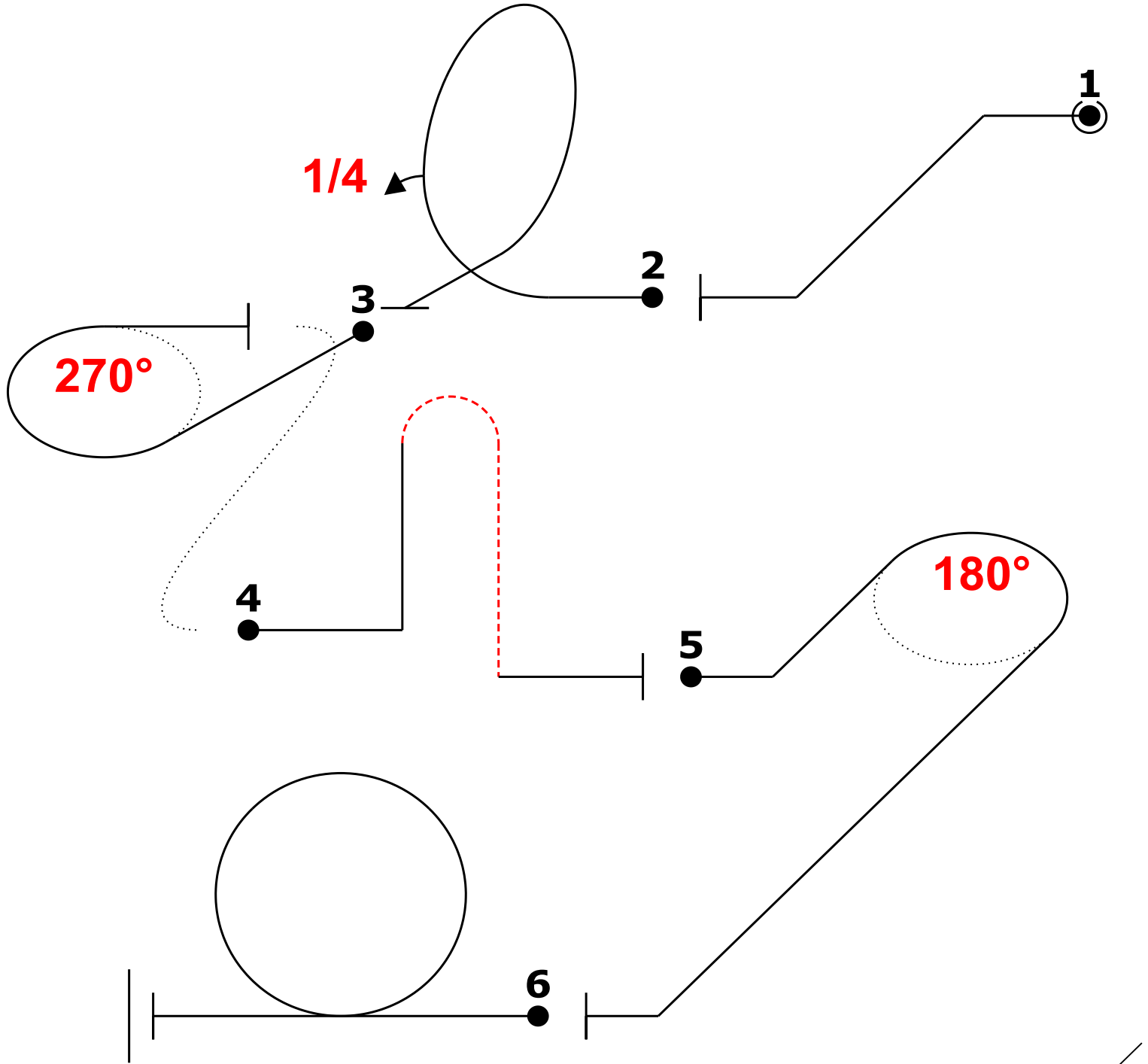
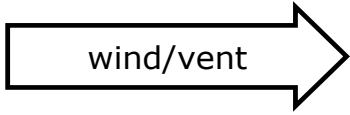
Klanten 5.-8./23		Form B
Pilot ID	IAC Glider Primary Known	
		Flight #



Pilot
A/C



Klanten 5.-8./23		Form C
Pilot ID	IAC Glider Primary Known	Flight #



Pilot
A/C